

Cryocooler 10W@77K

TC4177

TC4177 integrates a gas-bearing linear pressure-wave-generator (PWG) with a pulse tube cold finger. Split configuration leads to an ultra low vibration at the cold tip.

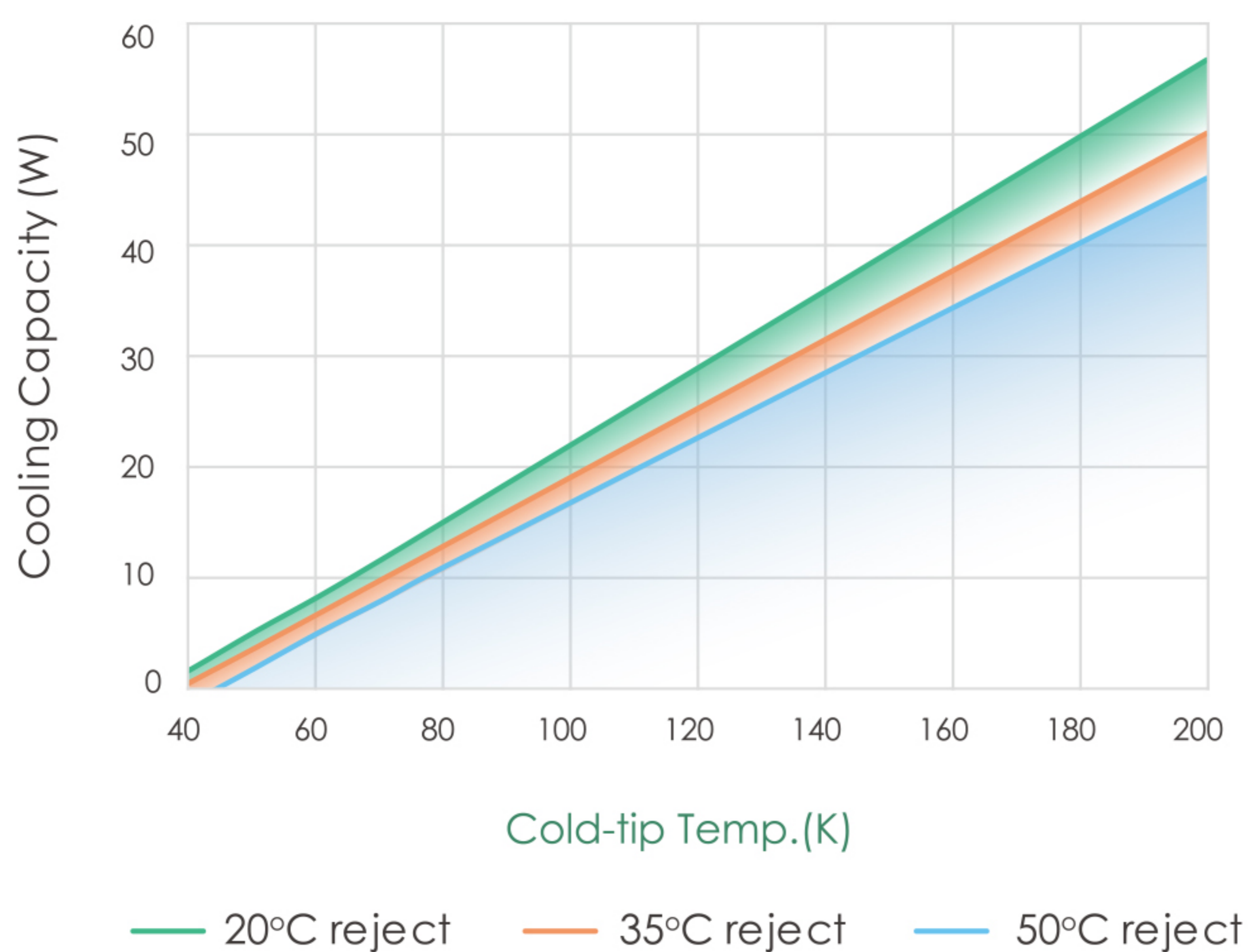


Features

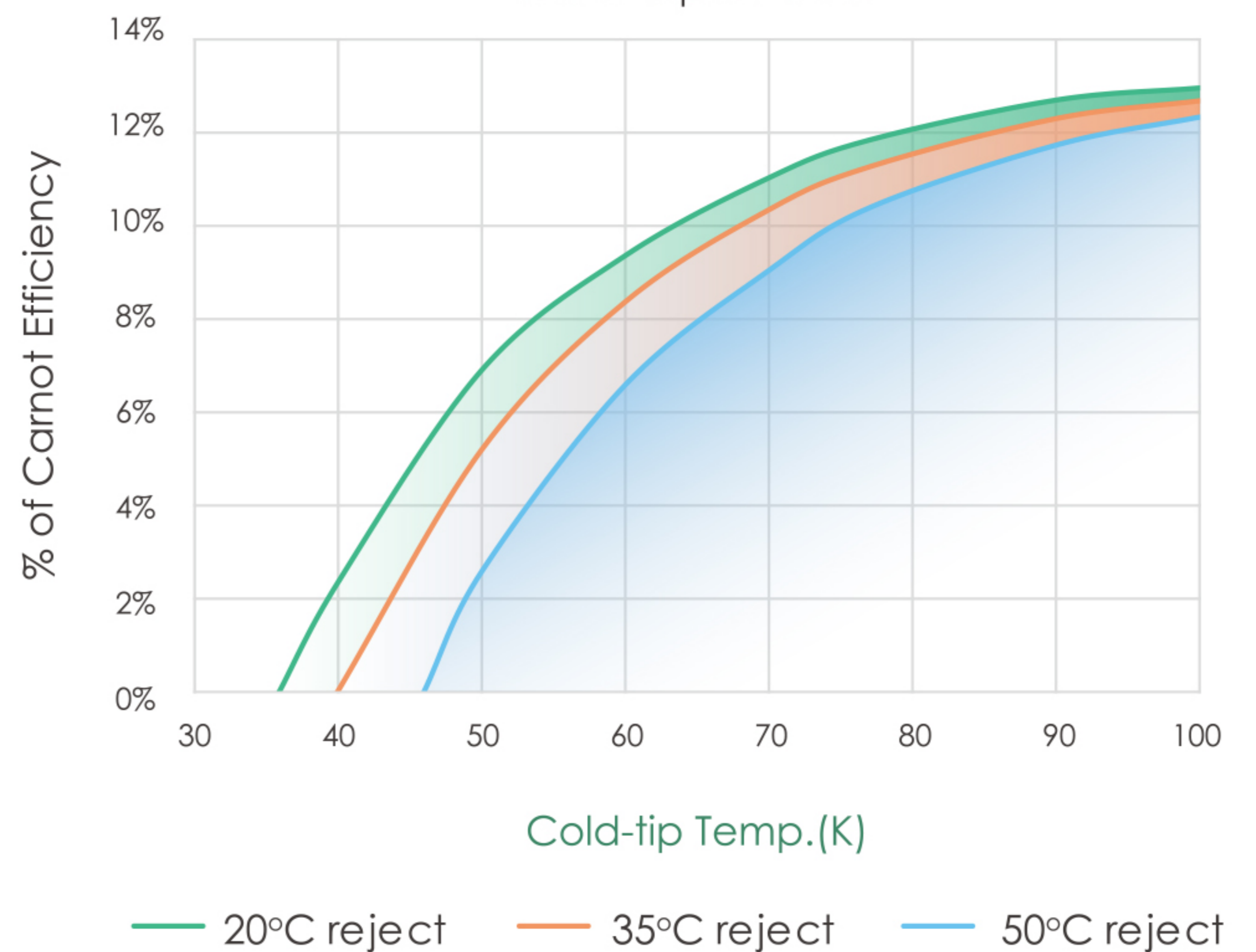
- 1 Dual opposed pistons driven by linear motor
- 2 Pulse tube cold finger
- 3 Selectable thermal radiators
- 4 Controller CT5505
- 5 Maintenance free
- 6 MTF > 50000h

Typical performance

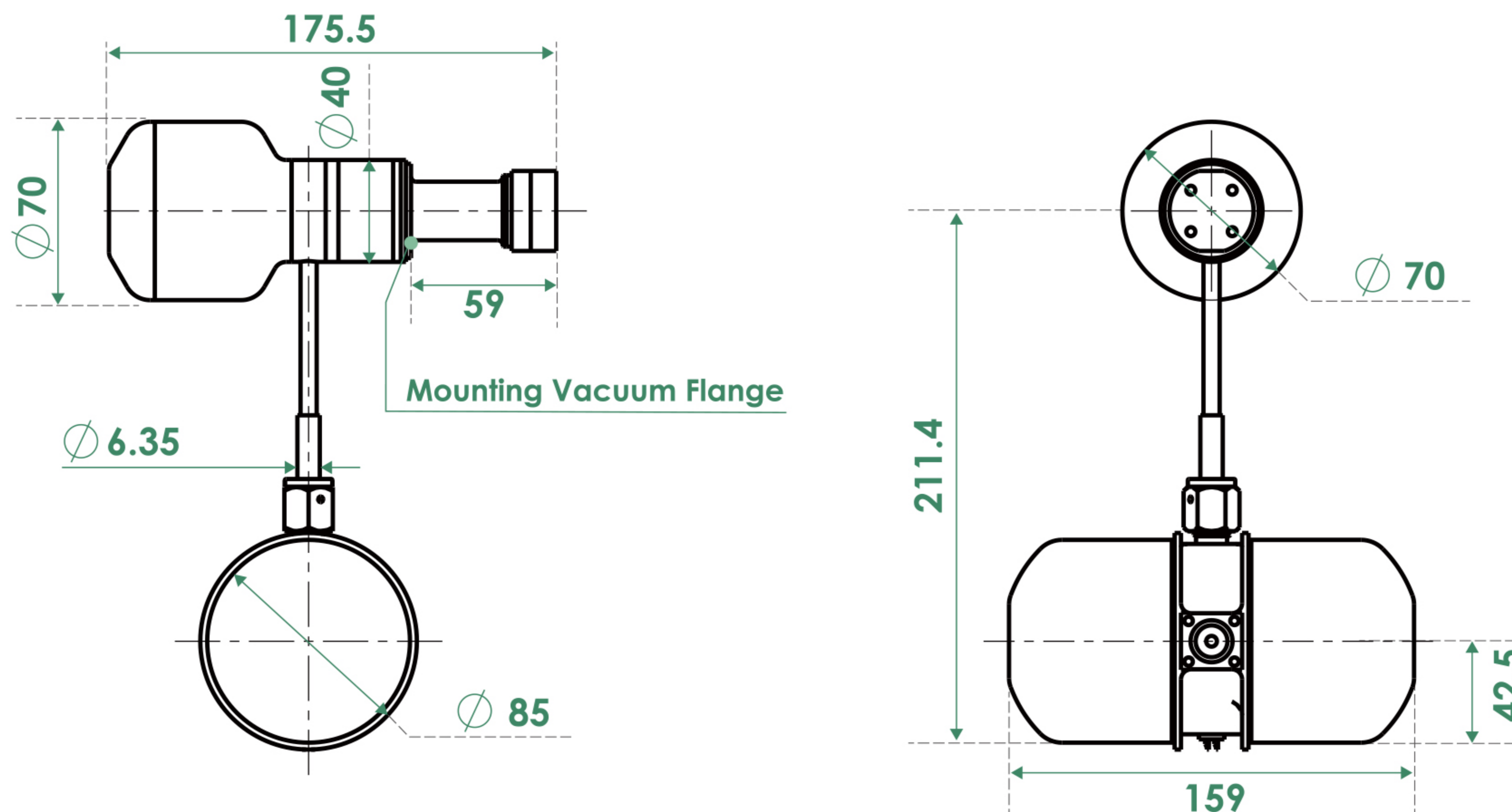
Cooling Capacity vs. Temperature
320 W Input Power



Percentage of Carnot Efficiency
320 W Input Power



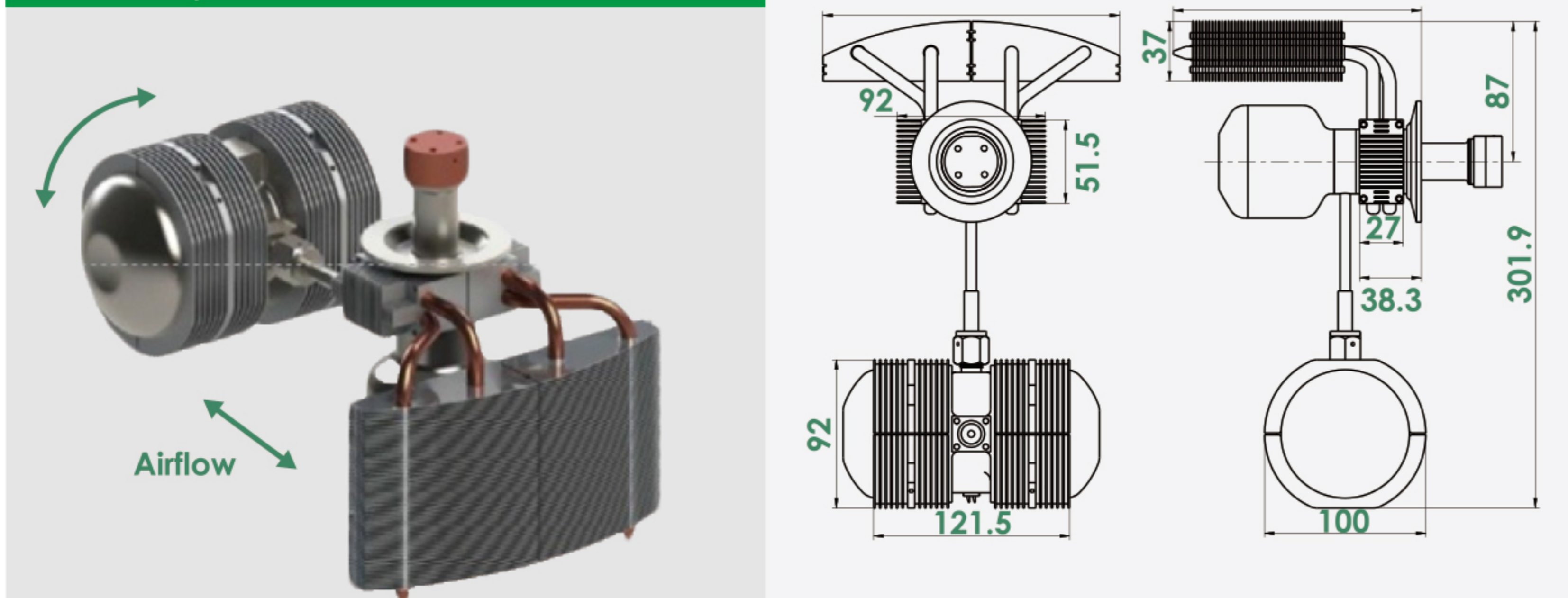
Specifications and Dimensions



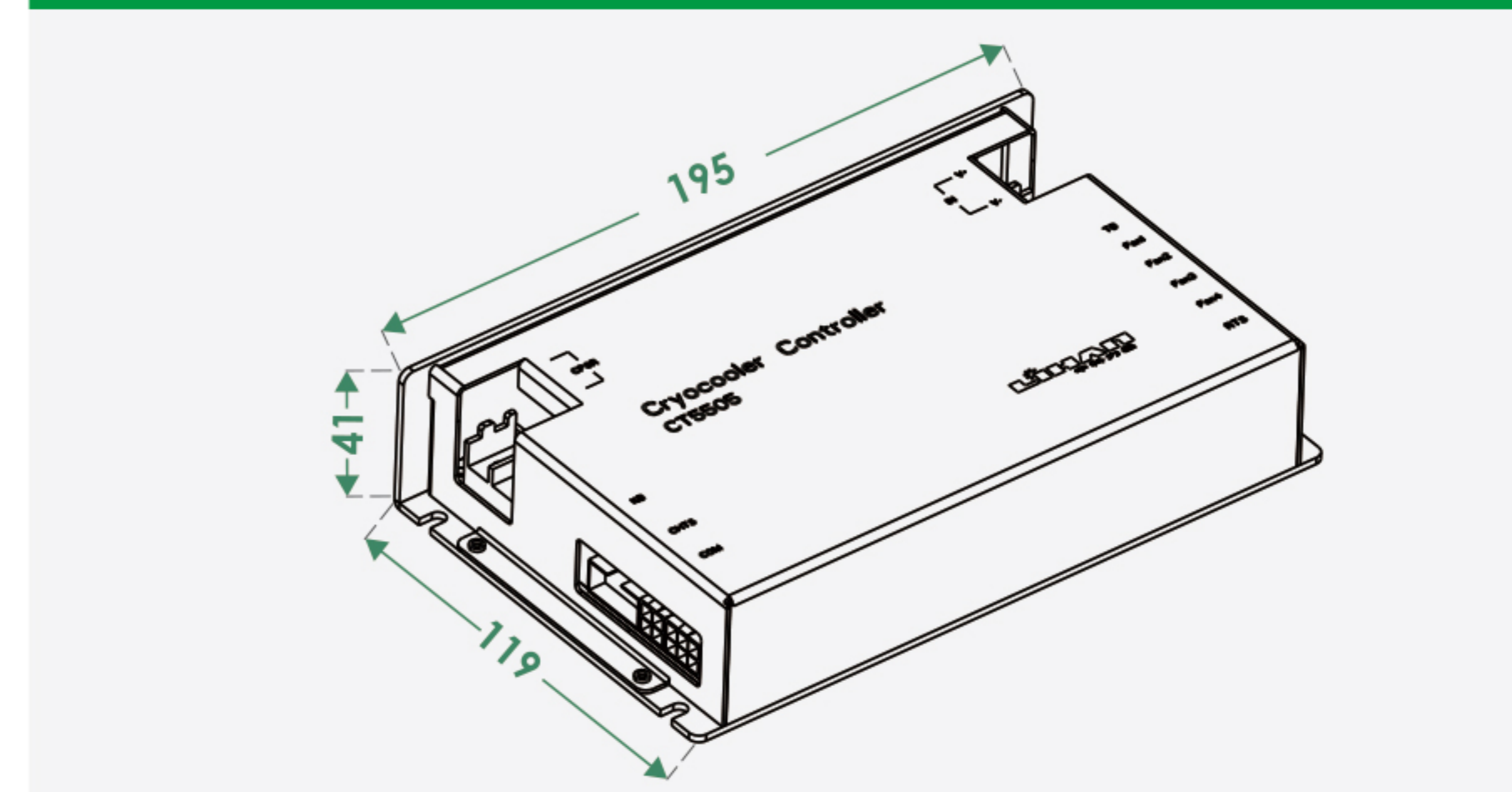
Operating Temperature	-20°C ~ +50°C
Nominal Input Power	250W
Nominal Cooling Capacity (20°C reject)	10W@77K
Max. Cooling Capacity (20°C reject)	13W@77K
Power Supply	DC48V
Lowest Temperature	$\leq 45K$
Weight	4.5kg
Temperature Stability	$\pm 0.1K$
Orientation	Any

Radiator and Controller

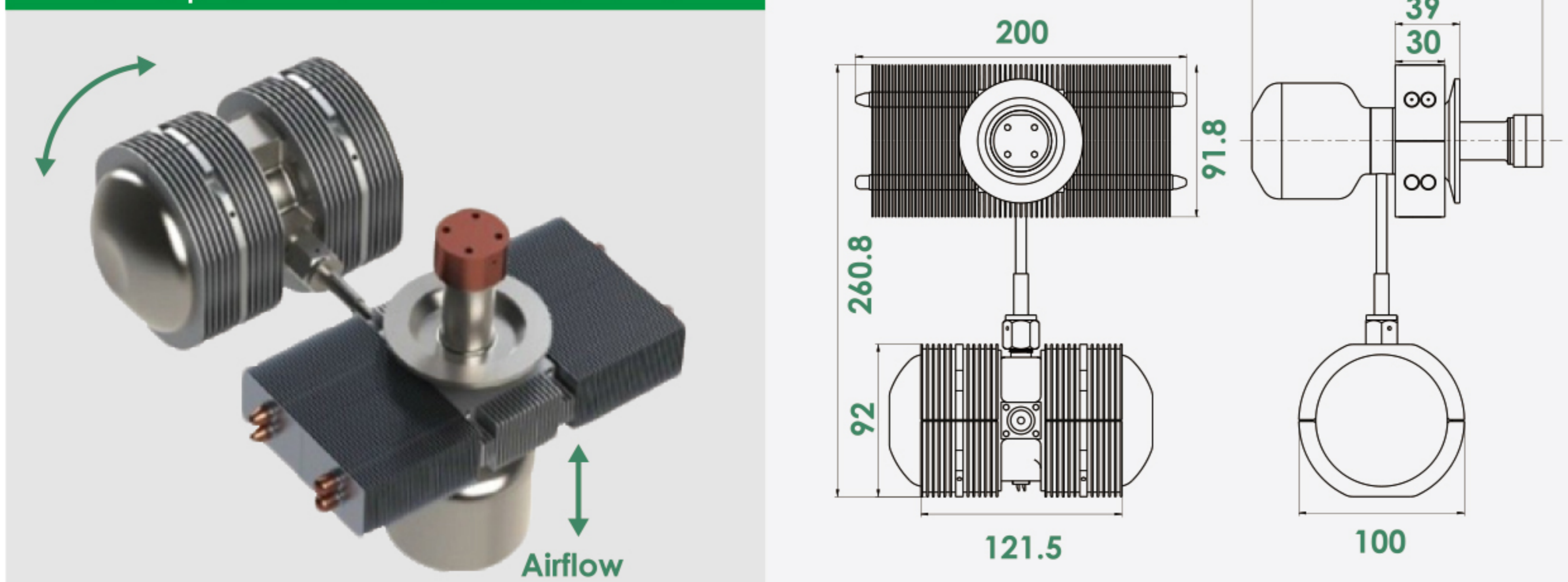
L-shape Thermal Radiator



CT 5505 Controller / Driver



I-shape Thermal Radiator



For more information:

Call : +86 755 86059186 Email : sales@lihantech.com
 Web : www.lihantech.com
 Add.: 3/F, Bldg. 4, Pingshan Minqi Industrial Park,
 Lishan Rd., Nanshan, Shenzhen, 518055, China

*All dimensions in mm. Data subject to change without notice.